

TL336815

Table Lamp

TECHNICAL SUPPORT

1.855.855.8926

technicalsupport@aloralighting.com

WARNINGS AND CAUTIONS

- Prepare everything in a clear area
- Read instructions carefully before you start assembly
- Keep this installation sheet for future reference

Please Note:

- For your safety this lamp is outfitted with a polarized plug (one blade is wider than the other). If the plug does not fit securely into the outlet, do not force it - contact a licensed electrician. The plug can be used with an extension cord only if it can be fully inserted into the cord's socket. Never alter the plug in any way
- 120V input

NOTICE

- The important safeguards and instructions outlined in this sheet cannot cover all possible conditions and situations that may occur. It must be understood that caution and certain care factors must be followed. These instructions are provided for your safety and we highly recommend that a licensed, trained electrician install this unit.

ASSEMBLY INSTRUCTIONS

Step 1

Remove fixture from its original package

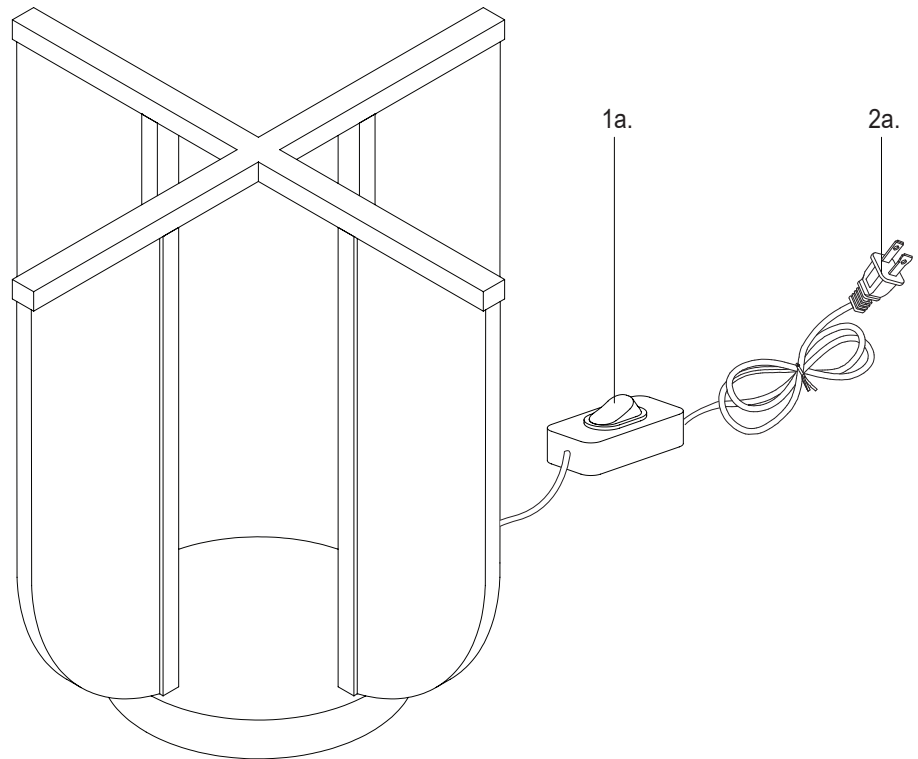
Step 2

Insert plug (2a) into outlet

Step 3

Use switch (1a) to turn ON/OFF.

You are now ready to enjoy your fixture.



alora

P: 1.855.855.8926

CANADA: 19054 28th Avenue Surrey - BC V3Z 6M3

USA: 3035 E. Lone Mountain Rd - Las Vegas, NV, 89081

www.aloralighting.com

20240618